

EF-SC700

Access Control
RFID - IP Proximity Device



Features

Standard Features

- 3-inch Colour touch screen
- Embedded relay contacts - lock, door sensor, etc.
- Built-in Serial and Ethernet ports sensor
- Built-in Wiegand input / output ports
- Less than 1 second user recognition
- Stores 30,000 cards and 100,000 transactions
- Built-in USB port allows for manual data transfer

Enhanced Features

- Audio - Visual indications for valid / invalid entries
- Tamper switch
- Integrated 125kHz RFID proximity reader

Software

- ZK Access Control Management 3.5

Related Products



RFID Cards



Exit Button



Maglocks



Mini UPS

Alternative Products



SC403

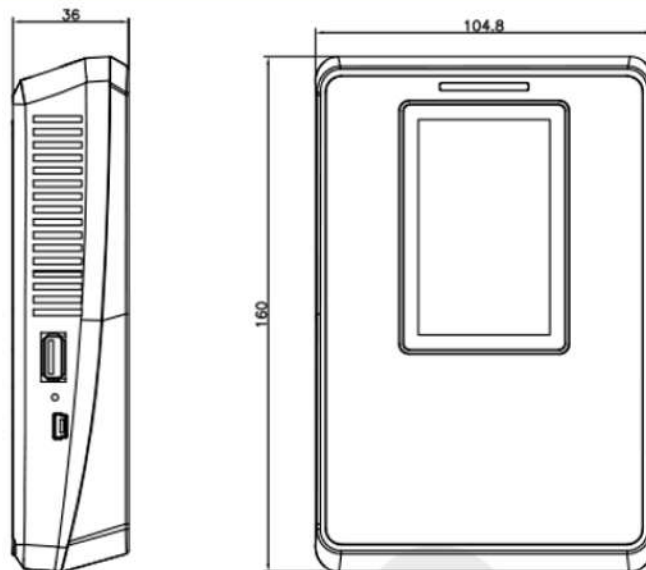


SCR100

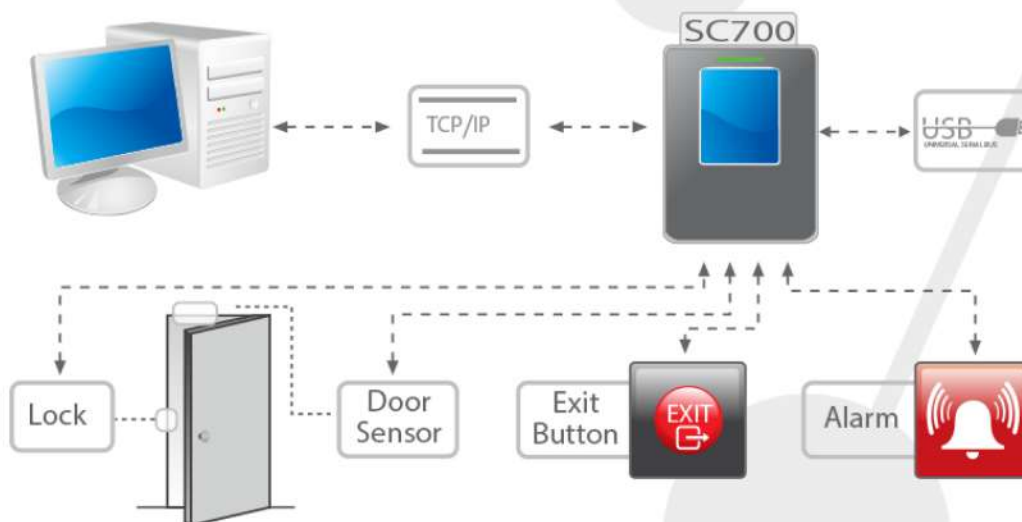
Specifications

- Card Capacity: 30,000 templates
- Transaction Capacity: 100,000 transactions
- Built-in Card Reader: 125kHz RFID proximity reader
- Reader Range: 5 - 10cm
- Communication: TCP/IP, USB-host
- Access Control interfaces: 3rd party electric lock, door sensor, exit button, door alarm
- Power Supply: 12V DC 3A
- Operating Temperature: 0 °C - 45 °C
- Operating Humidity: 20% - 80%
- Dimension: 104 X 160 X 36mm

Dimensions



Configuration



Ever Focus IT Solutions
UAE - Sharjah
Sharjah Free Zone-POBox : 53431
Mob:050 5563063 , 055 3733618
email: akhil@everfocusit.com
web : www.everfocusit.com

ZKTeco, ZKSoftware, ZKAccess, ZKivision, ZKBioblock, ZKAFIS are either registered trademarks or trademarks of ZKTECO INC and ZKTeco South Africa.

You must obtain written and signed permission from ZKTECO before using any photograph owned or licenced by ZKTECO.

Copyright © 1998-2014 ZKTECO INC. All rights reserved.